

MS2430

Mariner Kit for use with HP EliteDesk 800 G2
Small Form Factor PC (Horizontal mount)



The HP EliteDesk 800 G2 Small Form Factor (SFF) PC is marine type approved by all of the major international marine Classification Societies when it is installed in conjunction with our Mariner Kit MS2430.

The MS2430 Mariner Kit is designed to fit onto any horizontal surface and affords protection against the effects of vibration and shock experienced in the offshore marine environment and has been tested against IACS Unified Requirement E10 and the relevant sections of IEC60945 (see below right for test details).

This type approved combination of hardware and Mariner Kit can be used as the platform for your critical navigation, control, loading and general purpose applications (please check individual type approval certificates for any restrictions).

**“Steer the right course
with Mariner Systems”**



KEY FEATURES OF THE HP ELITEDESK 800 G2 SFF PC

- ◆ Experience top-notch productivity plus industry-leading reliability, security, and manageability, plus a unique portfolio of solutions in a compact, space-saving design with the powerful HP EliteDesk 800 G2 SFF PC
- ◆ Simplify IT roll-outs and stagger deployments with an 18-month life cycle and global availability in more than 180 countries where HP conducts business
- ◆ Get the reassurance of a PC that goes through 120,000 hours of HP Total Test Process and is designed to pass MIL-STD testing
- ◆ Blast through your most demanding challenges with the uncompromising performance of 6th generation Intel® Core™ processors and integrated Intel® HD Graphics
- ◆ Two low profile PCI Express x16 slots (one wired as a x4); two low profile PCI Express x1 slots
- ◆ Two front and six rear USB 3.0 ports; two front USB 2.0 ports (one fast charging)
- ◆ 2 x DisplayPorts; 1 x VGA video port; 1 x RJ45 Network connector; 1 x RS-232 Serial port (2nd optional); 1 x Parallel port (optional)
- ◆ 92.2% recyclable when properly disposed of at end of life
- ◆ Support your environmental initiatives with energy-efficient PCs that are ENERGY STAR® certified and EPEAT® Gold registered
- ◆ Compliant with the Restrictions of Hazardous Substances (RoHS) directive – 2011/65/EC
- ◆ Designed to comply with the Waste Electrical and Electronic Equipment (WEEE) directive – 2002/96/EC
- ◆ Three-year limited warranty on parts and labour as standard

This Mariner system is tested against the consolidated 'worst-case' requirements of all the major international marine Classification Societies:

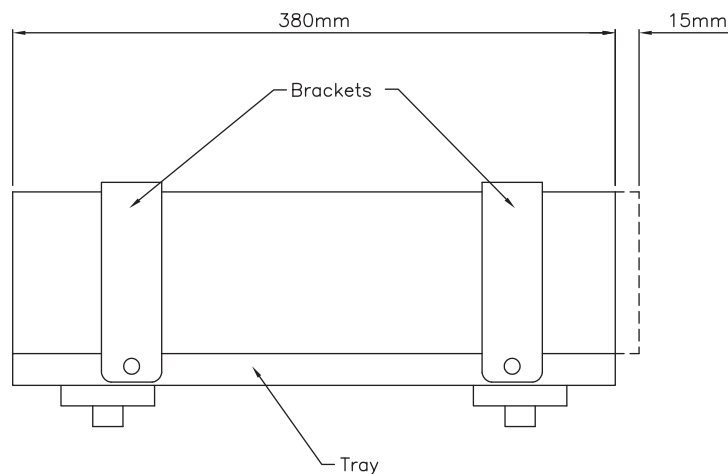
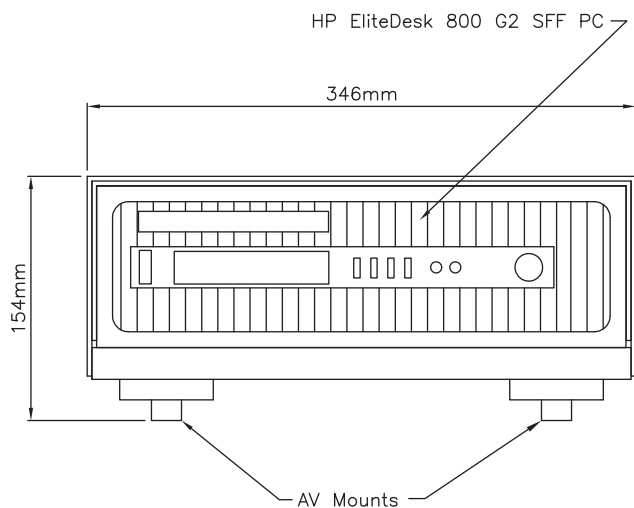
ABS, BV, CCS, DNV GL, KR, LR, NKK, PRS, RINA

Tests included on the test programme are as follows:

- > Vibration, Shock, Static and Dynamic Inclination
- > Dry & Damp Heat, Low Temperature
- > Acoustic Noise, Compass Safe Distance
- > High Voltage, Power Supply Variation & Power Supply Failure
- > Conducted LF & RF, Electromagnetic Field
- > Radiated & Conducted Emissions, Electrostatic Discharge
- > Insulation Resistance, Burst/Fast Transients
- > Surge Immunity, Access to Dangerous Voltages

MS2430

Mariner Kit for use with HP EliteDesk 800 G2 Small Form Factor PC (Horizontal mount)



BASIC JAPAN

Basic Japan株式会社 Suginami Tokyo, Japan
 Phone: 03-5335-7651
 E-mail: mail@basicjp.com
 URL: www.basicjp.com



Mariner Systems (UK) Limited

Oaklands Park • Wokingham • Berkshire • RG41 2FD • United Kingdom
 Telephone: +44 (0) 118 979 6020 • Facsimile: +44 (0) 118 979 6021
 sales@marinersystems.com • www.marinersystems.com

OPERATING GUIDELINES

Although all our equipment is tested against extreme environmental conditions for the purposes of marine type approval, installation should take into account the following guidelines:

- > Keep the computer away from excessive moisture, direct moisture and the extremes of heat and cold and, wherever possible, ensure that the computer is within the manufacturer's specified operating/non-operating ranges:

	Operating	Non-operating
Temperature	+10° to +35°C (+50° to +95°F)	-30° to +60°C (-22° to +140°F)
Humidity	10% to 90% (non-condensing)	5% to 95% (non-condensing)

- > Leave at least 10.2 cm (4-inch) clearance on all vented sides of the computer to permit the required airflow
- > Never restrict airflow into the computer by blocking any vents or air intakes
- > Occasionally clean the air vents on all vented sides of the computer
- > If the computer is to be operated within a separate enclosure, intake and exhaust ventilation must be provided on the enclosure, and the same operating guidelines listed above will still apply

By following these guidelines you will maximise the life of your equipment and minimise service costs.

STATISTICS

Overall Fitted Dimensions	346mm (w) x 154mm (h) x 395mm (d)
Weight (Mariner Kit only)	2.2 kg
Weight (including hardware)	Starting at 9.1 kg (exact weight depends upon configuration)
Chipset	Intel® Q170
Processor	Intel® 6th Generation Core™ i7, i5 & i3; Intel® 6th Generation Pentium®
Memory	Up to 64 GB DDR4-2133 SDRAM
Hard Drive	500 GB to 2 TB 3.5-inch SATA 6.0 GB/s (7,200 rpm); 500 GB 2.5-inch SATA 6.0 GB/s (7,200 rpm); 500 GB 2.5-inch SATA 6.0 GB/s SSHD; 128 to 256 GB 2.5-inch SATA 6.0 GB/s SSD; 128 to 256 GB 2.5-inch SATA 6.0 GB/s 3D SSD; 128 to 256 GB Turbo SSD-PCIe Card
Keyboard	HP USB Business Slim Keyboard; HP PS/2 Business Slim Keyboard
Mouse	HP USB Mouse; HP PS/2 Mouse; HP USB 1000dpi Laser Mouse
Network Card	Integrated Intel® I219LM Gigabit Ethernet
Graphics	Integrated Intel® HD Graphics
Optical Storage	HP Slim DVD-ROM; HP Slim SuperMulti DVD-RW; HP Slim BDXL Blu-ray Writer
Audio	Integrated HD audio with Realtek ALC221 codec; DTS Studio Sound™
Operating System	Windows 10; Windows 8.1; Windows 7; FreeDOS 2.0
Expansion Slots	2 x low profile PCI Express x16 graphics connectors (one wired as a x4); 2 x low profile PCI Express x1 accessory connectors
USB Support	8 x USB 3.0 ports – 2 front & 6 rear 2 x USB 2.0 ports – 2 front (1 fast charging)
Rear I/O	1 x RS-232 Serial port (2nd optional); 1 x Parallel port (optional); 1 x RJ-45 Network connector 1 x VGA video port 2 x DisplayPort with multi-stream
Operating Voltage Range	90 – 264 VAC
Operating Line Frequency Range	47 – 63 Hz